



REGO-FIX presents the new WMH

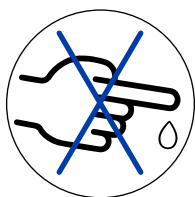
REGO-FIX has redesigned the well-known tool mounting block: In the future it will appear in a new design and an improved user-friendliness.

FLEXIBILITY

The redesigned tool mounting block offers the possibility to clamp all common tool interfaces safely. In addition, the possibility is offered to clamp the WMH securely in a vice.

SWISS MADE BY REGO-FIX

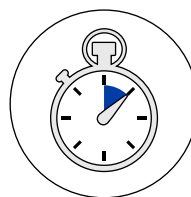
Made in Switzerland to the highest quality requirements. In addition it appears in a new and modern design.



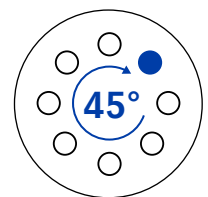
Safe and ergonomic tool assembly



Made in Switzerland by REGO-FIX



Quick change for different Tool systems

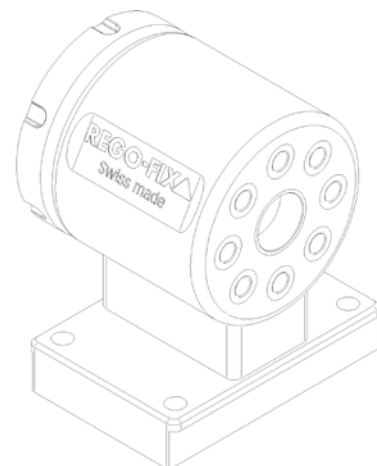
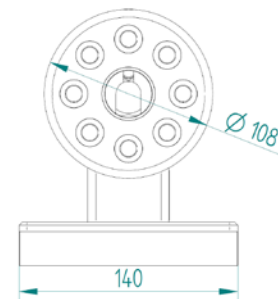
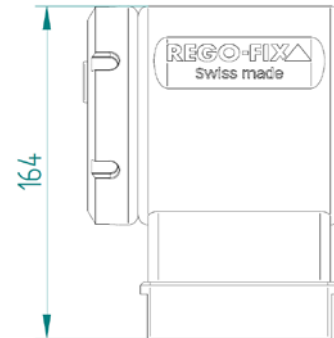


Tool mounting block 8 x 45° positionable

Tool assembly WMH

All items are compatible with the previous model.

Type	Part. no.	Fits this interface
Tool assembly WMH REGO-Grip		
WMH-RF 45°	7813.00088	–
Tool adapter WA / SK / BT / CAT		
WA/SK 30	7814.30100	BT/CAT/SK 30
WA/SK 40	7814.40100	BT/CAT/SK 40
WA/SK 50	7814.50100	BT/CAT/SK 50
Tool adapter WA / HSK-A / C / E		
WA/HSK-A/C/E 25	7814.25300	HSK-A/C/E 25
Tool adapter WA / HSK-A		
WA/HSK-A 32	7814.32200	HSK-A 32
WA/HSK-A 40	7814.40200	HSK-A 40
WA/HSK-A 50	7814.50200	HSK-A 50
WA/HSK-A 63	7814.63200	HSK-A 63
WA/HSK-A 80	7814.80200	HSK-A 80
WA/HSK-A 100	7814.00200	HSK-A 100
Tool adapter WA / HSK-C / E		
WA/HSK-C/E 32	7814.32500	HSK-C/E 32
WA/HSK-C/E 40	7814.40500	HSK-C/E 40
WA / HSK-C / E 50	7814.50500	HSK-C / E 50
WA / HSK-C / E 63	7814.63500	HSK-C / E 63
Tool adapter WA / C Capto		
WA/C3	7814.03700	CAPTO C3
WA/C4	7814.04700	CAPTO C4
WA/C5	7814.05700	CAPTO C5
WA/C6	7814.06700	CAPTO C6
WA/C8	7814.08700	CAPTO C8



WMH-RF 45°